

# Schlüter®-BARA-RAKE/-RAKEG

Finishing profile  
for attachment on sloped screeds

# 5.22

Product data sheet

## Application and Function

**Schlüter®-BARA-RAKE/-RAKEG** is a finishing profile for exposed edges of covering assemblies on balconies and terraces with existing sloped screeds. Schlüter®-BARA-RAKE is especially suited for assemblies with the bonded drainage mat Schlüter®-DITRA-DRAIN. The perforated outer edges give the outer perimeter of tiled areas a neat appearance.

Furthermore, the profile covers the exposed edges of the bonded drainage mat Schlüter®-DITRA-DRAIN, which is installed under the covering. The cross section of the profile openings is sufficiently large to guarantee drainage and ventilation.

The trapezoid perforated anchoring leg of Schlüter®-BARA-RAKE is attached to the exposed edges with a dry set tile adhesive.

Schlüter®-KERDI may be used as a bonded waterproofing assembly, but trowel applied chemical products for bonded waterproofing are equally suitable. Schlüter®-BARA-RAKEG was designed for assemblies with the bonded uncoupling membrane Schlüter®-DITRA 25. The closed outer edges give the outer perimeter of tiled areas a neat appearance. Schlüter®-BARA-RAKE/-RAKEG creates a neat appearance and protects the exposed edges from weather influences and corrosion.

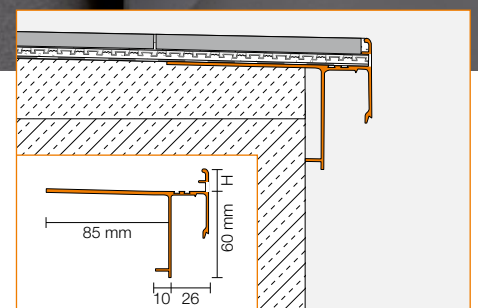


## Material

Schlüter®-BARA-RAKE/-RAKEG is made of colour coated aluminium.

## Material properties and areas of application:

The coating on the aluminium profile is colour stable, as well as UV and weather resistant. Visible surfaces should be protected against abrasion. In special cases, the suitability of Schlüter®-BARA-RAKE/-RAKEG must be verified based on the anticipated chemical and mechanical stresses.





### Installation of Schlüter®-BARA-RAKE

1. Select Schlüter®-BARA-RAKE according to the tile thickness.
2. As a finishing profile, Schlüter®-BARA-RAKE is embedded into the thin-bed mortar setting material with the trapezoid perforated anchoring leg aligned at the edge of the screed. Completely cover the anchoring leg with mortar.
3. Install Schlüter®-KERDI over the anchoring leg and cover the undercut profile of the protruding adhesive flange of Schlüter®-BARA-RAKE, using the sealing adhesive Schlüter®-KERDI-COLL.
4. If using a trowel applied sealing compound, align the trapezoid perforated anchoring leg of Schlüter®-BARA-RAKE in the waterproofing assembly at the exposed edge. The waterproofing material must cover the undercut profile of the protruding adhesive flange. Observe the installation instructions of the manufacturer for the installation of bonded waterproofing systems.
5. The bonded drainage membrane Schlüter®-DITRA-DRAIN is adhered over the bonded waterproofing assembly. Make sure to continue the membrane to below the joint spacer integrated in the profile. It must be assured that the drainage space is not fully closed, including during the installation of the covering materials.
6. The system is now ready for the installation of tiles in the thin-bed method, observing the installation instructions of data sheet 6.2 Schlüter®-DITRA-DRAIN. Maintain a proper joint between the tiles and the anchoring leg of Schlüter®-BARA-RAKE, to be filled with elastomeric sealant.
7. Notes: Preformed parts are available for inside and outside corners. Abut the profile ends of Schlüter®-BARA-RAKE, leaving a gap of approx. 5 mm to be covered with the clip on connectors. The applicable installation instructions and guidelines for the covering assemblies must be observed. All materials used in the assembly must be weather resistant, waterproof and suitable for outdoor areas.



### Installation of Schlüter®-BARA-RAKEG

1. Select Schlüter®-BARA-RAKEG according to the tile thickness.
2. As a finishing profile, Schlüter®-BARA-RAKEG is embedded into the thin-bed mortar setting material with the trapezoid perforated anchoring leg aligned at the edge of the screed. Completely cover the anchoring leg with mortar.
3. Install Schlüter®-DITRA 25, abutting the anchoring leg. The connection with the profile is established with the sealing band Schlüter®-KERDI-BAND. Use the sealing adhesive Schlüter®-KERDI-COLL to attach the sealing band with an overlap of at least 5 cm on Schlüter®-DITRA 25, covering the entire anchoring leg and overlapping the undercut profile of the protruding adhesive flange of Schlüter®-BARA-RAKEG. The system is now ready for the installation of tiles in the thin-bed method, observing the installation instructions of data sheet 6.1 Schlüter®-DITRA 25. Maintain a proper joint between the tiles and the anchoring leg of Schlüter®-BARA-RAKEG, to be filled with elastomeric sealant.
4. If using a trowel applied sealing compound, align the trapezoid perforated anchoring leg of Schlüter®-BARA-RAKEG in the waterproofing assembly at the exposed edge. The waterproofing material must cover the undercut profile of the protruding adhesive flange. Observe the installation instructions of the manufacturer for the installation of bonded waterproofing systems.
5. Notes: Preformed parts are available for inside and outside corners. Abut the profile ends of Schlüter®-BARA-RAKEG, leaving a gap of approx. 5 mm to be covered with the clip on connectors. The applicable installation instructions and guidelines for the covering assemblies must be observed.
6. All materials used in the assembly must be weather resistant, waterproof and suitable for outdoor areas.



**Notes**

Schlüter®-RAKE/-RAKEG requires no special maintenance or care. The powder coated surface of the aluminium profile is UV resistant and colour stable. Damaged visible surfaces can be restored with paint.

**Product Overview**

**Schlüter®-BARA-RAKE**

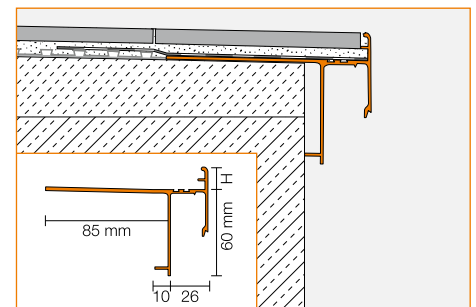
Colours: PG = pastel grey, GM = grey metallic  
Supplied length: 2.50 m

Colours	PG	GM
H = 10 mm	•	•
H = 15 mm	•	•
H = 18 mm	•	•
H = 21 mm	•	•
90° corner	•	•
135° corner	•	•
90° inside corner	•	•
Connector	•	•

**Schlüter®-BARA-RAKEG**

Colours: PG = pastel grey, GM = grey metallic  
Supplied length: 2.50 m

Colours	PG	GM
H = 4 mm	•	•
H = 10 mm	•	•
H = 15 mm	•	•
H = 18 mm	•	•
H = 21 mm	•	•
90° corner	•	•
135° corner	•	•
90° inside corner	•	•
Connector	•	•



**Text template for tenders:**

\_\_\_\_\_ linear metres of Schlüter®-BARA-RAKE, as an angled balcony finishing profile made of coated aluminium with protruding adhesive flange, perforated upright edge and integrated drip lip, to be supplied and professionally installed in the edge area over an existing sloped screed with the trapezoid perforated anchoring leg, while observing the manufacturer's instructions.

Accessories:  
inside, outside corners and connectors  
■ are to be included in the unit prices.  
■ are to be charged separately.

Profile height: \_\_\_\_\_ mm  
Colour: \_\_\_\_\_  
Art. No.: \_\_\_\_\_  
Material: \_\_\_\_\_ /m  
Labour: \_\_\_\_\_ /m  
Total price: \_\_\_\_\_ /m

**Text template for tenders:**

\_\_\_\_\_ linear metres of Schlüter®-BARA-RAKEG, as an angled balcony finishing profile made of coated aluminium with protruding adhesive flange, closed upright edge and integrated drip lip, to be supplied and professionally installed in the edge area over a finished sloped screed with the trapezoid perforated anchoring leg, while observing the manufacturer's instructions.

Accessories:  
inside, outside corners and connectors  
■ are to be included in the unit prices.  
■ are to be charged separately.

Profile height: \_\_\_\_\_ mm  
Colour: \_\_\_\_\_  
Art. No.: \_\_\_\_\_  
Material: \_\_\_\_\_ /m  
Labour: \_\_\_\_\_ /m  
Total price: \_\_\_\_\_ /m

